

SmartPSUk2-40

AC/DC Converter to Supply PSk2 Pump Systems with Power from a Generator or Grid Supply

Description

The SmartPSUk2-40 automatically blends power from solar and external sources, only using the external source where the demand for water requires it. This is not a switching system that switches between sources but effectively blends power so that only the power that is needed is demanded from the non-solar source. For a hybrid generator solution, this means running at partial load, for a hybrid grid solution this means using kWh from the grid as a top up.

Features

- Provides DC power to PSk2 pump controllers from AC and DC sources
- Blends solar power (DC) with AC power from the grid or generator
- Part of the PSk2 SmartSolution for hybrid powering of water pumping systems
- Data link to PSk2 controller for control and monitoring
- Integrated overheat protection and active cooling



Ordering and shipping information

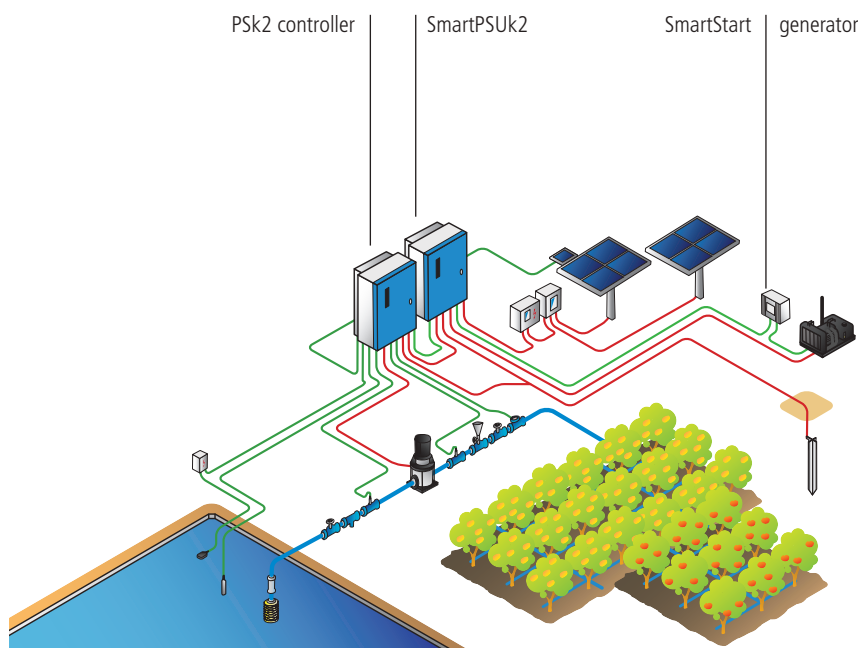
- Packing dimension: 560 x 400 x 340 mm (22.0 x 15.7 x 13.4 in)
- Packed weight: 18 kg (39 lbs)
- See next page for item numbers and variants

Approvals and standards

The AC/DC converter has the following standards:

- Meets the requirements for CE

SmartSolution OVERVIEW



BERNT LORENTZ GmbH

Siebenstuecken 24, 24558 Henstedt-Ulzburg, Germany
Tel. +49 (0) 4193 8806 - 700, www.lorentz.de

Sun. Water. Life.

All specifications and information are given with good intent, errors are possible and products may be subject to change without notice. Pictures may differ from actual products depending on local market requirements and regulations.

Order information

Item number	Description
19-002585	SmartPSUk2-40

Mounting options

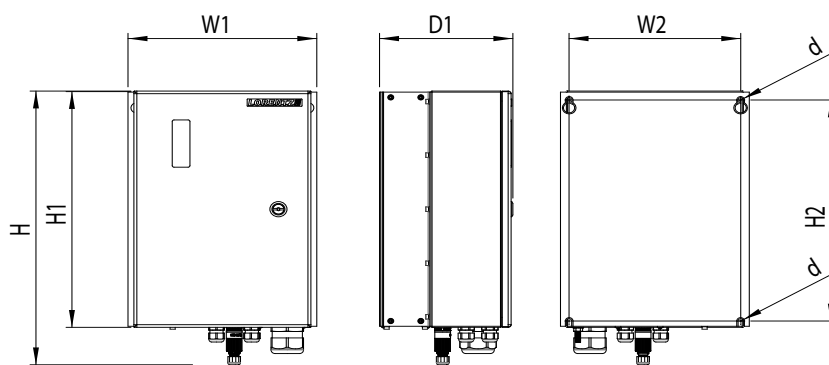
- The SmartPSUk2-40 comes with a cable to connect to the PSk2 Controller (1.00 m) and a back plate for mounting on non-flat surfaces.

Technical data / Specifications

3-Phase AC input	380 – 415 V (\pm 10 %) 50 Hz/60 Hz max. 38 kW (48 kVA)
DC output	U _{max} = 850 V DC I _{max} = 70 A
PV max open circuit voltage:	850 V DC
Environmental protection	IP54
Housing material	Stainless steel powder coated case
Ambient Temperature	-10 to 50°C

Dimensions and weight

- Weight 18kg (39 lbs)
- W1** 320mm (12.6") **W2** 290mm (11.4") **H** 500mm (19.7")
H1 450mm (17.7") **H2** 421mm (16.6") **D1** 226mm (8.9")
d 9mm (0.35")



SCALE 1:10

SCALE 1:10

SCALE 1:10

BERNT LORENTZ GmbH

Siebenstuecken 24, 24558 Henstedt-Ulzburg, Germany
Tel. +49 (0) 4193 8806 - 700, www.lorentz.de

Sun. Water. Life.

All specifications and information are given with good intent, errors are possible and products may be subject to change without notice. Pictures may differ from actual products depending on local market requirements and regulations.