

PM Accessory bracket

Kit for mounting LORENTZ PS Controller / PV-Disconnect to the Pole Mount PM-1-X

USE / PURPOSE

The PM Accessory bracket is designed for use with the LORENTZ POLE MOUNT-1-X.

The Set allows an easy and flexible mounting of LORENTZ PS Controllers and PV-Disconnect on the Pole of the LORENTZ PM-1-X.



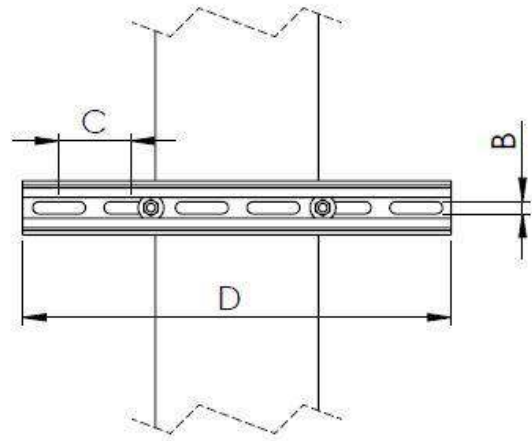
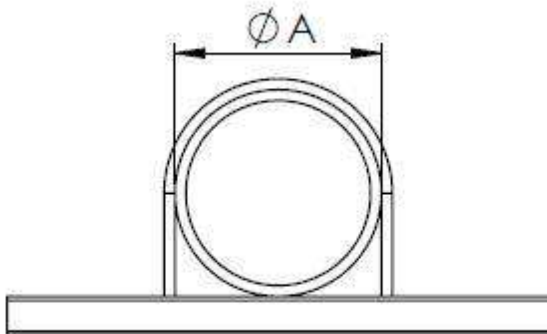
ORDER INFORMATION

Part	Item No.	PM-1-1	PM-1-2	PM-1-3	PM-1-4	PM-1-5	PM-1-6
PM Accessory bracket 2.5-1	19-004220	x	x				
PM Accessory bracket 4-1	19-004210			x	x	x	x

FEATURES

- Simple and cost effective mounting possibility for LORENTZ Controller and PV-Disconnect
- Designed for LORENTZ Pole Mount 1-X

TECHNICAL DATA



	A	B	C	D	Weight	Item no.
PM-1- 1/2	70 -73 mm 2.5 " SCH40	8.5 x 37 mm 0.33 x 1.4 "	50 mm 2 "	300 mm 11.8 "	0.35 kg 0.77 lbs.	19-004220
PM-1- 3/4/5/6	114.3 mm 4 " SCH40				0.4 kg 0.88 lbs.	19-004210

Packing dimensions

305x170x25 mm
12x7x1 inch

BERNT LORENTZ GmbH & Co. KG
Siebenstuecken 24, 24558 Henstedt-Ulzburg, Germany
Tel +49 (0)4193 8806-700, www.lorentz.de

Sun. Water. Life.

All specifications and information are given with good intent, errors are possible and products may be subject to change without notice. Pictures may differ from actual products depending on local market requirements and regulations