



## UD330P C-Si SERIES

# IMPROVED POWER NEVER SETTLE FOR LESS

Independently tested for proven product quality and long-term reliability. Millions of PV systems installed worldwide demonstrate Utomo Solaruv industry leadership.



18%

CELL EFFICIENCY

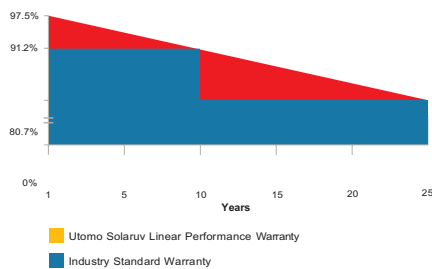
10 YEAR

PRODUCT WARRANTY

0 -5W

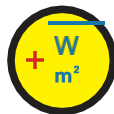
POWER TOLERANCE

### 25 Years Linear Warranty



#### Higher Durability

The multi-busbar design can decrease the risk of the cell micro-cracks and fingers broken.



#### High Power Density

High conversion efficiency and more power output per square meter, by lower series resistance and improved light harvesting.



#### PID Resistant

Tested in accordance to the standard IEC 62804, our PV modules have demonstrated resistance against PID (Potential Induced Degradation), which translates to security for your investment.



#### Advanced Glass

Our high-transmission glass features a unique anti-reflective coating that directs more light on the solar cells, resulting in a higher energy yield.

## POLYCRYSTALLINE SILICON MODULE DATASHEET

### Standard Test Conditions (STC)

Typical Type	Unit	UD330
Maximum Power (Pmax)	W	330
Short Circuit Current (Isc)	A	9.23
Current at Maximum Power (Impp)	A	8.79
Open Circuit Voltage (Voc)	V	46
Voltage at Maximum Power (Vmpp)	V	37.5
Maximum System Voltage	V	1000
Operation Temperature	°C	-40~+85
Series fuse rating )	A	15
Temperature Coefficient of Pmax	%/°C	-0.38
Temperature Coefficient of Imax	%/°C	0.05
Temperature Coefficient of Vmax	%/°C	-0.31
Weight	Kg	22

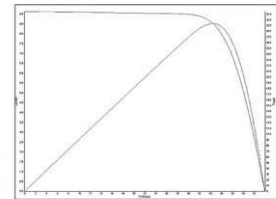
STC: 1000W/m<sup>2</sup> irradiance, 25°C cell temperature, AM1.5g spectrum according to EN 60904-3.  
Average relative efficiency reduction of 3.3% at 200W/m<sup>2</sup> according to EN 60904-1.



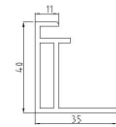
## GENERAL CHARACTERISTICS

Dimensions (L / W / H)	1956mm / 992mm / 40mm
Weight	22kg

I-V Curve

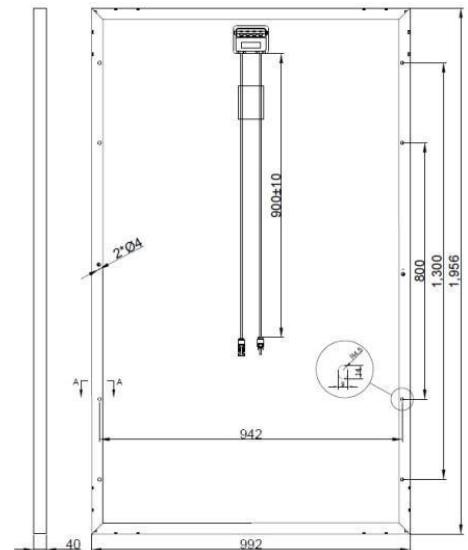


Length Width Depth Weight



section A-A

Back View



### UTOMO SOLARUV

#### Jakarta Representative

Gedung Baja Tower B Lt. 1, Jl. Pangeran Jayakarta No. 55, Manggadua Selatan, Sawah Besar, Jakarta Pusat 10730  
(021) 639-8383 Ext. 113

#### Surabaya Representative

Jl. Basuki Rahmad no. 149, Surabaya  
(031) 545-1945

Email : solar@utomodeck.com